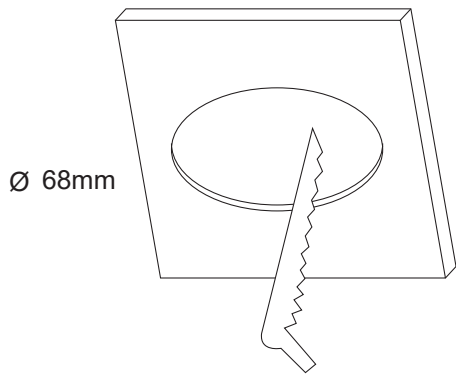
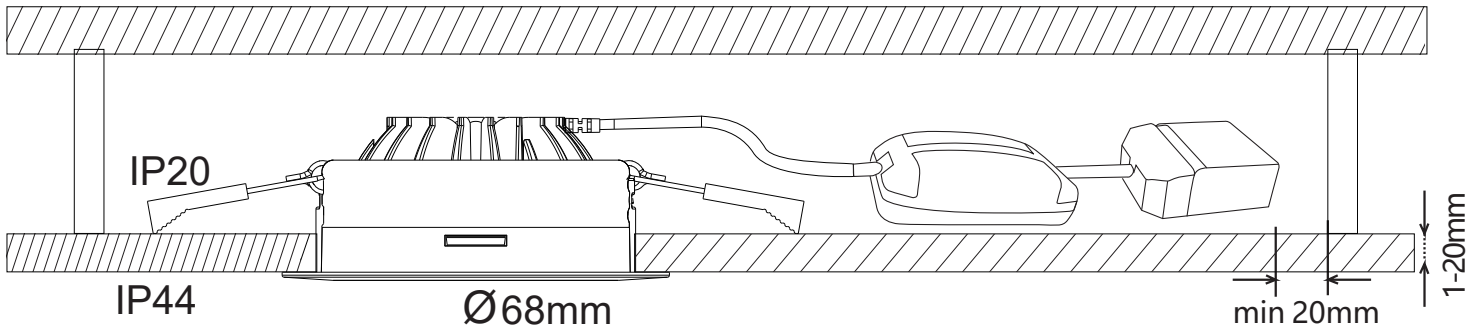
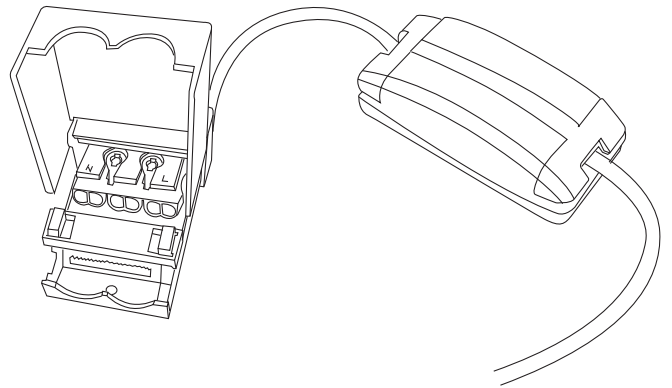


# Installation instruction of LED downlight

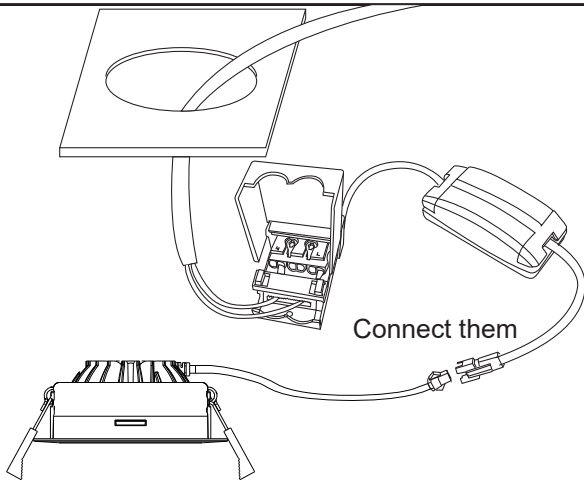
Min 300\*280\*50mm



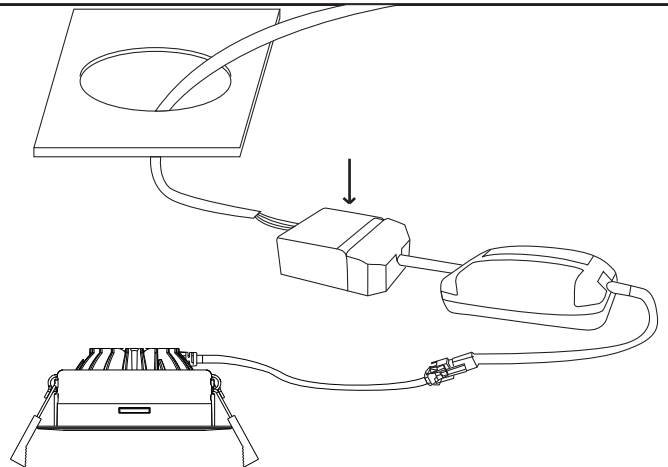
① Make the hole



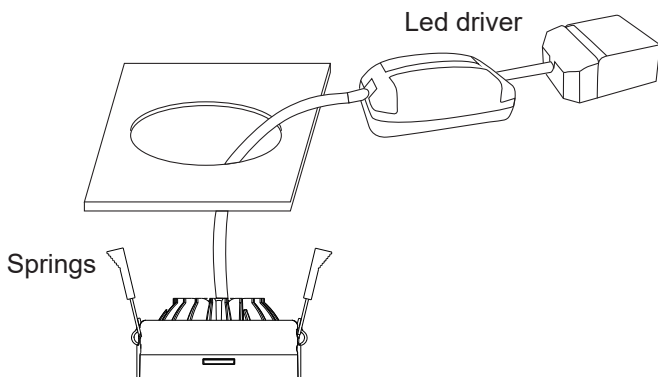
② Open the connection box



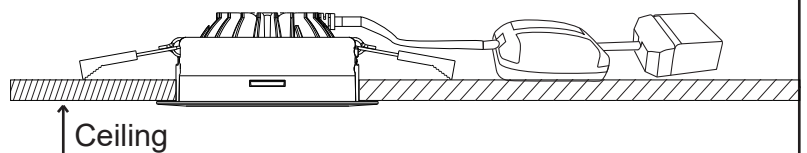
③ Connect with AC230V power



④ Close the connection box



⑤ Push up the springs and put them in the hole



⑥ Finish installation